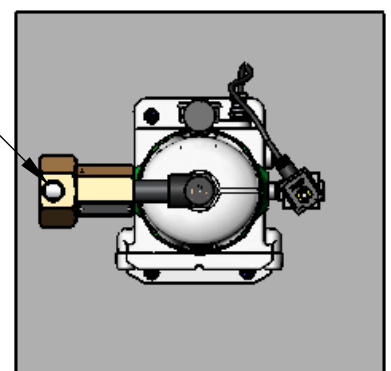
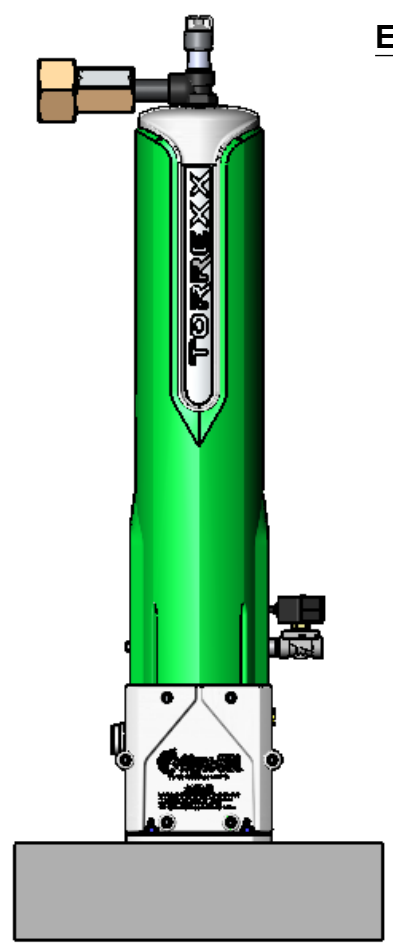
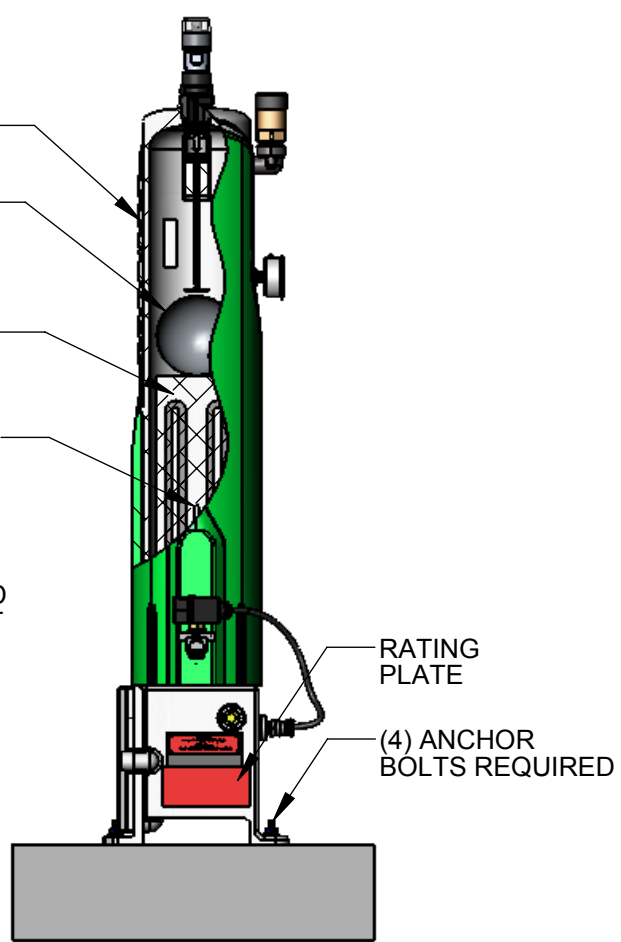
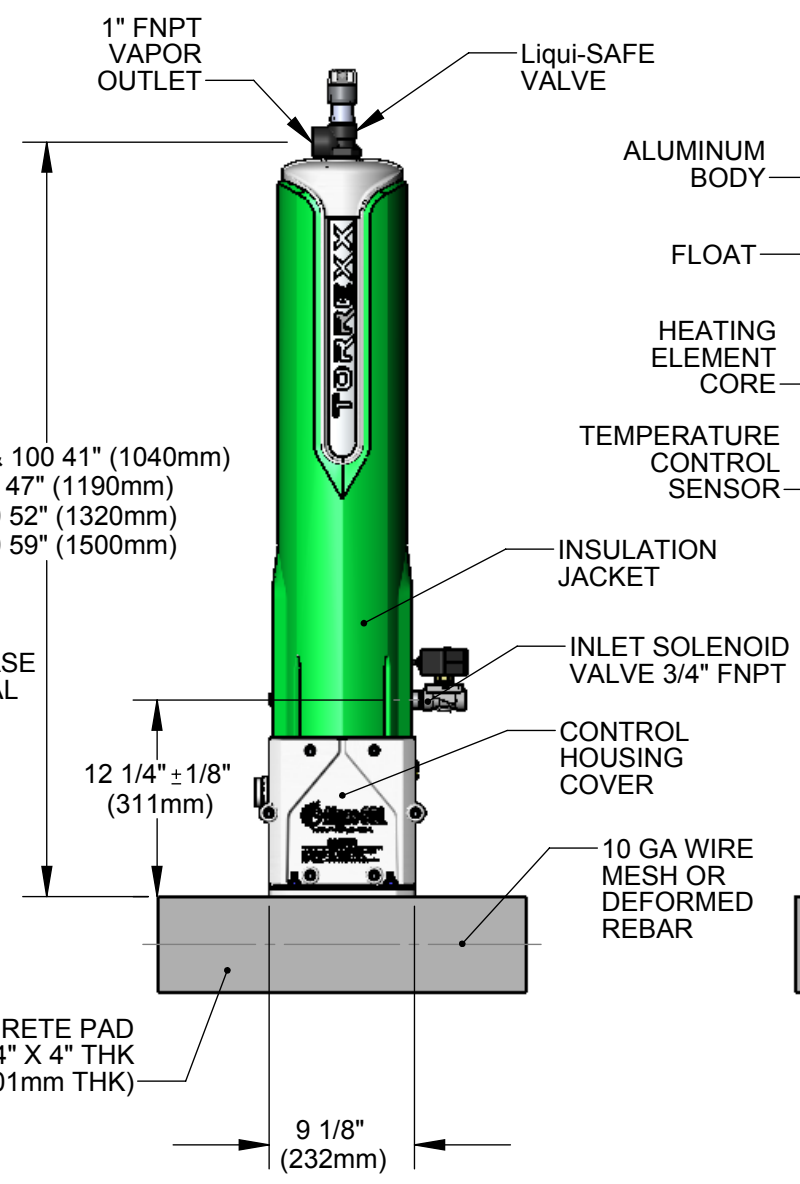
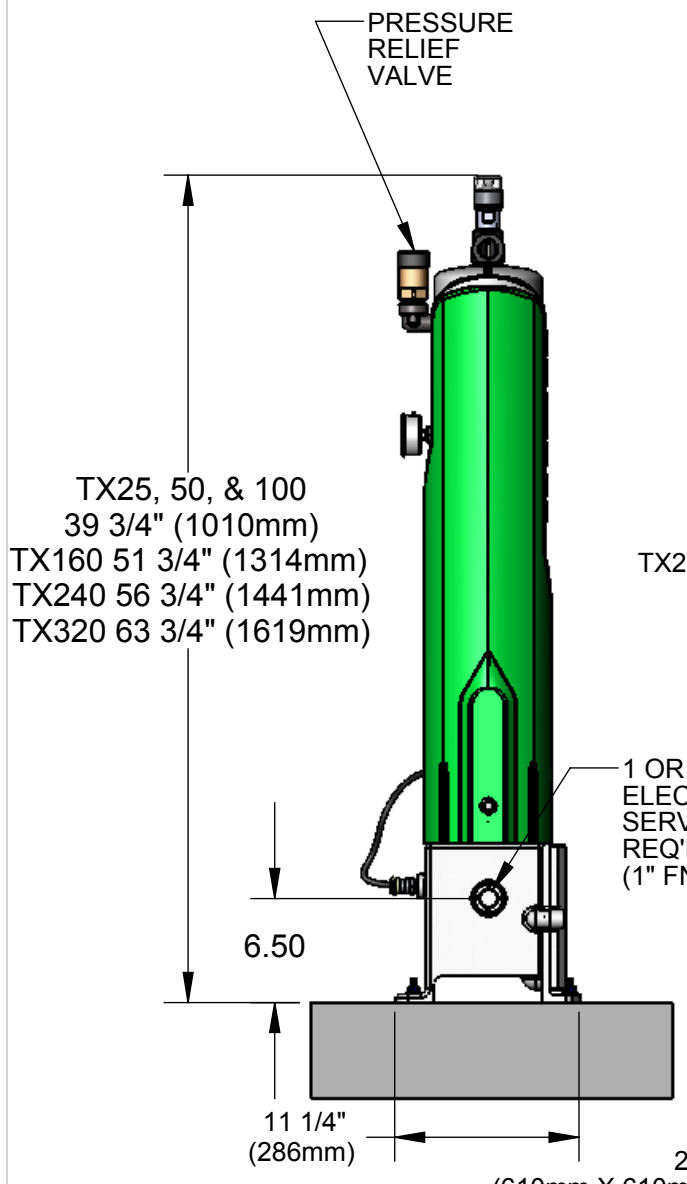


TORREXX ECONOMY VALVE 1" FNPT OUTLET



**ECONOMY OPTION TOP VIEW**



**ECONOMY OPTION FRONT VIEW**

**NOTES**

1. CONFORMS TO HAZARDOUS RATING:  
 - EEx d II B T3 / Ex II 2G  
 - DNV-2006-OSL-ATEX-0166Q
2. RELIEF VALVE SETTING 17.24 BARG (250PSIG)
3. CONFORMS TO PRESSURE EQUIPMENT DIRECTIVES:  
 - PED-H-40065-2008-CE-USA-NA
4. SUITABLE FOR INDOOR/OUTDOOR INSTALLATION
5. AVOID DRY RUBBING OF THE INSULATION JACKET. TO AVOID ELECTROSTATIC CHARGING HAZARD, ALWAYS USE A DAMP CLOTH FOR CLEANING
6. PRESSURE VESSEL RATED AT 17.24 BARG (250PSIG)



151 S. Michigan St., Seattle, Washington. USA 98108  
 Tel: (206) 789-5410 Fax: (206) 789-5414

Title: <b>TORREXX SERIES ELECTRIC VAPORIZER LPG NEMKO</b>		Drawn By: <b>P. LEUNG</b>	Date: <b>10-23-06</b>
Size: <b>B</b>	Dwg. No.: <b>5001-6003</b>	Checked By:	Scale: <b>NONE.</b>
		Approved By:	Job No.: <b>A.S.D.I. STD.</b>
		Part Number: <b>N/A</b>	
		Sht. No.: <b>1 of 1</b>	Rev.: